

BSS NM

Ball Bearings in Stainless Steel (not magnetic)



6000 SERIE

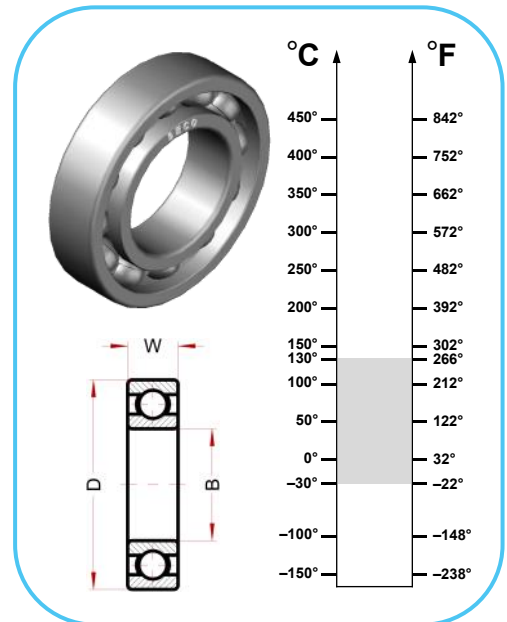
Designation	Bore (B)	Diam (D)	Width (W)	Speed, RPM	Static Load, kN at 130°C	Static Load, kN at 20°C
6000 BSS NM	10	26	8	200	0,13	0,13
6001 BSS NM	12	28	8	190	0,16	0,16
6002 BSS NM	15	32	9	180	0,19	0,19
6003 BSS NM	17	35	10	170	0,22	0,22
6004 BSS NM	20	42	12	160	0,33	0,33
6005 BSS NM	25	47	12	150	0,39	0,39
6006 BSS NM	30	55	13	140	0,53	0,53
6007 BSS NM	35	62	14	130	0,69	0,69
6008 BSS NM	40	68	15	120	0,70	0,70
6009 BSS NM	45	75	16	110	0,72	0,72
6010 BSS NM	50	80	16	100	0,78	0,78
6011 BSS NM	55	90	18	90	1,06	1,06
6012 BSS NM	60	95	18	80	1,16	1,16
6013 BSS NM	65	100	18	70	1,25	1,25
6014 BSS NM	70	110	20	60	1,58	1,58
6015 BSS NM	75	115	20	50	1,70	1,70

6200 SERIE

Designation	Bore (B)	Diam (D)	Width (W)	Speed, RPM	Static Load, kN at 130°C	Static Load, kN at 20°C
6200 BSS NM	10	30	9	200	0,17	0,17
6201 BSS NM	12	32	10	190	0,21	0,21
6202 BSS NM	15	35	11	180	0,25	0,25
6203 BSS NM	17	40	12	170	0,32	0,32
6204 BSS NM	20	47	14	160	0,44	0,44
6205 BSS NM	25	52	15	150	0,53	0,53
6206 BSS NM	30	62	16	140	0,75	0,75
6207 BSS NM	35	72	17	130	0,77	0,77
6208 BSS NM	40	80	18	120	0,90	0,90
6209 BSS NM	45	85	19	110	1,02	1,02
6210 BSS NM	50	90	20	100	1,20	1,20
6211 BSS NM	55	100	21	90	1,45	1,45
6212 BSS NM	60	110	22	80	1,90	1,90
6213 BSS NM	65	120	23	70	2,08	2,08
6214 BSS NM	70	125	24	60	2,20	2,20
6215 BSS NM	75	130	25	50	2,45	2,45

6300 SERIE

Designation	Bore (B)	Diam (D)	Width (W)	Speed, RPM	Static Load, kN at 130°C	Static Load, kN at 20°C
6300 BSS NM	10	35	11	200	0,23	0,23
6301 BSS NM	12	37	12	190	0,28	0,28
6302 BSS NM	15	42	13	180	0,36	0,36
6303 BSS NM	17	47	14	170	0,44	0,44
6304 BSS NM	20	52	15	160	0,57	0,57
6305 BSS NM	25	62	17	150	0,76	0,76
6306 BSS NM	30	72	19	140	0,82	0,82
6307 BSS NM	35	80	21	130	0,95	0,95
6308 BSS NM	40	90	23	120	1,25	1,25
6309 BSS NM	45	100	25	110	1,60	1,60
6310 BSS NM	50	110	27	100	1,90	1,90
6311 BSS NM	55	120	29	90	2,38	2,38
6312 BSS NM	60	130	31	80	2,60	2,60
6313 BSS NM	65	140	33	70	3,00	3,00
6314 BSS NM	70	150	35	60	3,40	3,40
6315 BSS NM	75	160	37	50	3,83	3,83



Technical characteristics:

- Bearing material: stainless steel
AISI 304 / AISI 316
- Radial Clearance C3
- Bearing running open
- Supplied without grease
- Lubrication according customer specification

Fields of application:

- Air conveyors for food processing plants
- Textile Finishing Plants
- Ship building industry



12100 Cuneo - Italy

phone: 0039 0171 66883

mail: office@becoitalia.biz

www.becoitalia.biz