

BSS 2RS NSF H1

Ball Bearings in Stainless Steel (magnetic)



MICRO SERIE

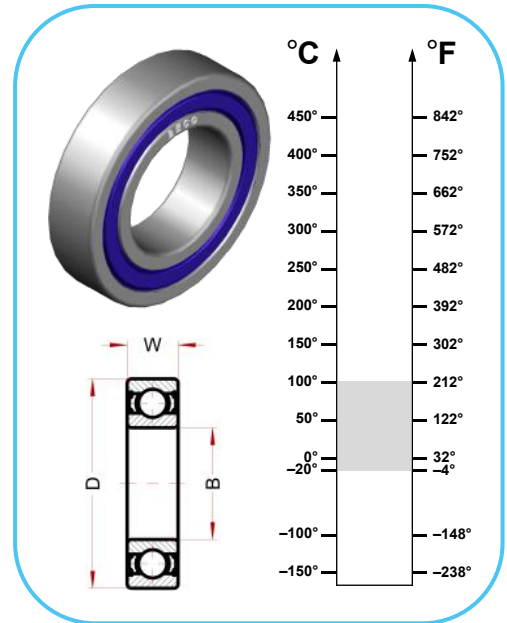
Designation	Bore (B)	Diam (D)	Width (W)	Speed, RPM	Static Load, kN at 100°C	Static Load, kN at 20°C
613/3 BSS 2RS NSF H1	3	8	3	25600	0,12	0,12
623 BSS 2RS NSF H1	3	10	4	25600	0,18	0,18
604 BSS 2RS NSF H1	4	12	4	24320	0,34	0,34
624 BSS 2RS NSF H1	4	13	5	24320	0,34	0,34
605 BSS 2RS NSF H1	5	14	5	23040	0,42	0,42
625 BSS 2RS NSF H1	5	16	5	23040	0,42	0,42
606 BSS 2RS NSF H1	6	17	6	20480	0,85	0,85
626 BSS 2RS NSF H1	6	19	6	20480	0,85	0,85
607 BSS 2RS NSF H1	7	19	6	20480	0,85	0,85
627 BSS 2RS NSF H1	7	22	7	19200	1,10	1,10
608 BSS 2RS NSF H1	8	22	7	19200	1,10	1,10
628 BSS 2RS NSF H1	8	24	8	19200	1,10	1,10
609 BSS 2RS NSF H1	9	24	7	19200	1,30	1,30
629 BSS 2RS NSF H1	9	26	8	19200	1,57	1,57

61800 SERIE

Designation	Bore (B)	Diam (D)	Width (W)	Speed, RPM	Static Load, kN at 100°C	Static Load, kN at 20°C
61800 BSS 2RS NSF H1	10	19	5	21760	0,42	0,42
61801 BSS 2RS NSF H1	12	21	5	20480	0,76	0,76
61802 BSS 2RS NSF H1	15	24	5	19200	1,00	1,00
61803 BSS 2RS NSF H1	17	26	5	17920	1,16	1,16
61804 BSS 2RS NSF H1	20	32	7	14080	1,79	1,79
61805 BSS 2RS NSF H1	25	37	7	12160	2,24	2,24
61806 BSS 2RS NSF H1	30	42	7	10240	2,68	2,68
61807 BSS 2RS NSF H1	35	47	7	8960	2,88	2,88
61808 BSS 2RS NSF H1	40	52	7	8320	3,40	3,40
61809 BSS 2RS NSF H1	45	58	7	7040	4,48	4,48
61810 BSS 2RS NSF H1	50	65	7	6400	5,04	5,04
61811 BSS 2RS NSF H1	55	72	9	5760	6,80	6,80
61812 BSS 2RS NSF H1	60	78	10	5440	8,80	8,80
61813 BSS 2RS NSF H1	65	85	10	4800	9,60	9,60
61814 BSS 2RS NSF H1	70	90	10	4480	10,0	10,0
61815 BSS 2RS NSF H1	75	95	10	4288	10,7	10,7

61900 SERIE

Designation	Bore (B)	Diam (D)	Width (W)	Speed, RPM	Static Load, kN at 100°C	Static Load, kN at 20°C
61900 BSS 2RS NSF H1	10	22	6	8500	0,75	0,75
61901 BSS 2RS NSF H1	12	24	6	8000	0,97	0,97
61902 BSS 2RS NSF H1	15	28	7	7500	2,03	2,03
61903 BSS 2RS NSF H1	17	30	7	7000	2,30	2,30
61904 BSS 2RS NSF H1	20	37	9	6000	3,60	3,60
61905 BSS 2RS NSF H1	25	42	9	5000	4,00	4,00
61906 BSS 2RS NSF H1	30	47	9	4250	4,52	4,52
61907 BSS 2RS NSF H1	35	55	10	3750	6,20	6,20
61908 BSS 2RS NSF H1	40	62	12	3300	9,30	9,30
61909 BSS 2RS NSF H1	45	68	12	3000	9,80	9,80
61910 BSS 2RS NSF H1	50	72	12	2800	10,4	10,4
61911 BSS 2RS NSF H1	55	80	13	2500	11,4	11,4
61912 BSS 2RS NSF H1	60	85	13	2250	12,0	12,0
61913 BSS 2RS NSF H1	65	90	13	2100	13,4	13,4
61914 BSS 2RS NSF H1	70	100	16	2000	18,3	18,3
61915 BSS 2RS NSF H1	75	105	16	1800	19,3	19,3



Technical characteristics:

- Bearing material: tempered stainless steel
- Standard Radial Clearance
- Stainless steel seals type 2RS
- Lubricated for entire life with grease suitable to use in food industry according NSF H1 standard

Fields of application:

- Air conveyors for food processing plants
- Construction industry, windows, sliding windows, etc.
- Food Industry



12100 Cuneo - Italy

phone: 0039 0171 66883

mail: office@becoitalia.biz

www.becoitalia.biz