

BSS 2RS C3 VT 180° NSF H1



Ball Bearings in Stainless Steel (magnetic) for High Temperature

6000 SERIE

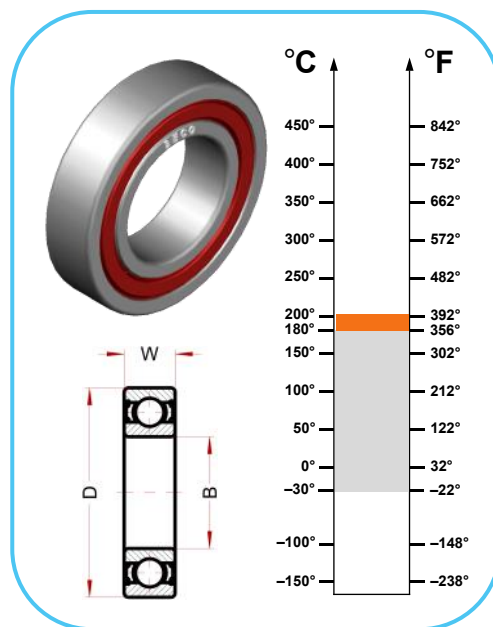
Designation	Bore (B)	Diam (D)	Width (W)	Speed, RPM	Static Load, kN at 180°C	Static Load, kN at 20°C
6000 BSS 2RS C3 VT 180° NSF H1	10	26	8	4200	1,76	1,96
6001 BSS 2RS C3 VT 180° NSF H1	12	28	8	4060	2,10	2,36
6002 BSS 2RS C3 VT 180° NSF H1	15	32	9	3920	2,50	2,85
6003 BSS 2RS C3 VT 180° NSF H1	17	35	10	3780	2,90	3,25
6004 BSS 2RS C3 VT 180° NSF H1	20	42	12	3640	4,50	5,00
6005 BSS 2RS C3 VT 180° NSF H1	25	47	12	3360	5,20	5,85
6006 BSS 2RS C3 VT 180° NSF H1	30	55	13	3080	7,20	8,00

6200 SERIE

Designation	Bore (B)	Diam (D)	Width (W)	Speed, RPM	Static Load, kN at 180°C	Static Load, kN at 20°C
6200 BSS 2RS C3 VT 180° NSF H1	10	30	9	4060	2,3	2,60
6201 BSS 2RS C3 VT 180° NSF H1	12	32	10	3920	2,8	3,10
6202 BSS 2RS C3 VT 180° NSF H1	15	35	11	3780	3,3	3,75
6203 BSS 2RS C3 VT 180° NSF H1	17	40	12	3640	4,2	4,75
6204 BSS 2RS C3 VT 180° NSF H1	20	47	14	3360	5,9	6,55
6205 BSS 2RS C3 VT 180° NSF H1	25	52	15	3080	7,2	8,00
6206 BSS 2RS C3 VT 180° NSF H1	30	62	16	2800	10,0	11,2

6300 SERIE

Designation	Bore (B)	Diam (D)	Width (W)	Speed, RPM	Static Load, kN at 180°C	Static Load, kN at 20°C
6300 BSS 2RS C3 VT 180° NSF H1	10	35	11	3920	3,1	3,45
6301 BSS 2RS C3 VT 180° NSF H1	12	37	12	3780	3,7	4,15
6302 BSS 2RS C3 VT 180° NSF H1	15	42	13	3640	4,8	5,40
6303 BSS 2RS C3 VT 180° NSF H1	17	47	14	3360	5,8	6,55
6304 BSS 2RS C3 VT 180° NSF H1	20	52	15	3080	7,6	8,50
6305 BSS 2RS C3 VT 180° NSF H1	25	62	17	2800	10,2	11,4



Technical characteristics:

- Bearing material: tempered stainless steel
- Radial Clearance C3
- Seals 2RS in steel with vulcanized rubber for 250°C Viton
- Lubricated for entire life with PTFE based on silicone free grease
- Do not need additional lubrication

Fields of application:

- Green industry
- Meat industry
- Food Industry
- Air conveyors



12100 Cuneo - Italy

phone: 0039 0171 66883

mail: office@becoitalia.biz

www.becoitalia.biz