

BHTS ZZ GR CG 350°

Extreme Temperature Bearings



6000 SERIE

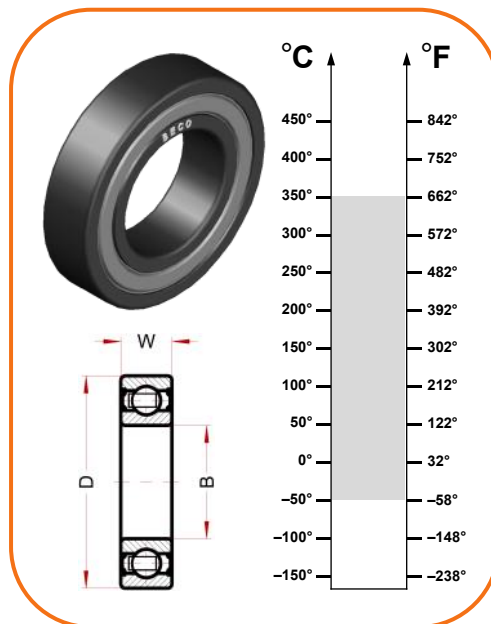
| Designation | Bore (B) | Diam (D) | Width (W) | Speed, RPM | Static Load, kN at 350°C | Static Load, kN at 20°C |
|-------------------------|----------|----------|-----------|------------|--------------------------|-------------------------|
| 6000 BHTS ZZ GR CG 350° | 10 | 26 | 8 | 90 | 1,35 | 1,96 |
| 6001 BHTS ZZ GR CG 350° | 12 | 28 | 8 | 85 | 1,63 | 2,36 |
| 6002 BHTS ZZ GR CG 350° | 15 | 32 | 9 | 80 | 1,97 | 2,85 |
| 6003 BHTS ZZ GR CG 350° | 17 | 35 | 10 | 75 | 2,24 | 3,25 |
| 6004 BHTS ZZ GR CG 350° | 20 | 42 | 12 | 70 | 3,45 | 5,00 |
| 6005 BHTS ZZ GR CG 350° | 25 | 47 | 12 | 65 | 4,03 | 5,85 |
| 6006 BHTS ZZ GR CG 350° | 30 | 55 | 13 | 60 | 5,52 | 8,00 |
| 6007 BHTS ZZ GR CG 350° | 35 | 62 | 14 | 55 | 7,17 | 10,4 |
| 6008 BHTS ZZ GR CG 350° | 40 | 68 | 15 | 50 | 8,14 | 11,8 |
| 6009 BHTS ZZ GR CG 350° | 45 | 75 | 16 | 45 | 9,86 | 14,3 |
| 6010 BHTS ZZ GR CG 350° | 50 | 80 | 16 | 40 | 10,76 | 15,6 |
| 6011 BHTS ZZ GR CG 350° | 55 | 90 | 18 | 40 | 14,62 | 21,2 |
| 6012 BHTS ZZ GR CG 350° | 60 | 95 | 18 | 40 | 16,00 | 23,2 |
| 6013 BHTS ZZ GR CG 350° | 65 | 100 | 18 | 40 | 17,24 | 25,0 |
| 6014 BHTS ZZ GR CG 350° | 70 | 110 | 20 | 40 | 21,72 | 31,5 |
| 6015 BHTS ZZ GR CG 350° | 75 | 115 | 20 | 40 | 23,45 | 34,0 |

6200 SERIE

| Designation | Bore (B) | Diam (D) | Width (W) | Speed, RPM | Static Load, kN at 350°C | Static Load, kN at 20°C |
|-------------------------|----------|----------|-----------|------------|--------------------------|-------------------------|
| 6200 BHTS ZZ GR CG 350° | 10 | 30 | 9 | 90 | 1,79 | 2,60 |
| 6201 BHTS ZZ GR CG 350° | 12 | 32 | 10 | 85 | 2,14 | 3,10 |
| 6202 BHTS ZZ GR CG 350° | 15 | 35 | 11 | 80 | 2,59 | 3,75 |
| 6203 BHTS ZZ GR CG 350° | 17 | 40 | 12 | 75 | 3,27 | 4,75 |
| 6204 BHTS ZZ GR CG 350° | 20 | 47 | 14 | 70 | 4,52 | 6,55 |
| 6205 BHTS ZZ GR CG 350° | 25 | 52 | 15 | 65 | 5,52 | 8,00 |
| 6206 BHTS ZZ GR CG 350° | 30 | 62 | 16 | 60 | 7,72 | 11,2 |
| 6207 BHTS ZZ GR CG 350° | 35 | 72 | 17 | 55 | 10,55 | 15,3 |
| 6208 BHTS ZZ GR CG 350° | 40 | 80 | 18 | 50 | 12,41 | 18,0 |
| 6209 BHTS ZZ GR CG 350° | 45 | 85 | 19 | 45 | 14,06 | 20,4 |
| 6210 BHTS ZZ GR CG 350° | 50 | 90 | 20 | 40 | 16,55 | 24,0 |
| 6211 BHTS ZZ GR CG 350° | 55 | 100 | 21 | 40 | 20,00 | 29,0 |
| 6212 BHTS ZZ GR CG 350° | 60 | 110 | 22 | 40 | 24,83 | 36,0 |
| 6213 BHTS ZZ GR CG 350° | 65 | 120 | 23 | 40 | 28,62 | 41,5 |
| 6214 BHTS ZZ GR CG 350° | 70 | 125 | 24 | 40 | 30,34 | 44,0 |
| 6215 BHTS ZZ GR CG 350° | 75 | 130 | 25 | 40 | 33,79 | 49,0 |

6300 SERIE

| Designation | Bore (B) | Diam (D) | Width (W) | Speed, RPM | Static Load, kN at 350°C | Static Load, kN at 20°C |
|-------------------------|----------|----------|-----------|------------|--------------------------|-------------------------|
| 6300 BHTS ZZ GR CG 350° | 10 | 35 | 11 | 90 | 2,38 | 3,45 |
| 6301 BHTS ZZ GR CG 350° | 12 | 37 | 12 | 85 | 2,86 | 4,15 |
| 6302 BHTS ZZ GR CG 350° | 15 | 42 | 13 | 80 | 3,72 | 5,40 |
| 6303 BHTS ZZ GR CG 350° | 17 | 47 | 14 | 75 | 4,52 | 6,55 |
| 6304 BHTS ZZ GR CG 350° | 20 | 52 | 15 | 70 | 5,86 | 8,50 |
| 6305 BHTS ZZ GR CG 350° | 25 | 62 | 17 | 65 | 7,86 | 11,4 |
| 6306 BHTS ZZ GR CG 350° | 30 | 72 | 19 | 60 | 11,24 | 16,3 |
| 6307 BHTS ZZ GR CG 350° | 35 | 80 | 21 | 55 | 13,10 | 19,0 |
| 6308 BHTS ZZ GR CG 350° | 40 | 90 | 23 | 50 | 17,24 | 25,0 |
| 6309 BHTS ZZ GR CG 350° | 45 | 100 | 25 | 45 | 22,06 | 32,0 |
| 6310 BHTS ZZ GR CG 350° | 50 | 110 | 27 | 40 | 26,20 | 38,0 |
| 6311 BHTS ZZ GR CG 350° | 55 | 120 | 29 | 40 | 32,76 | 47,5 |
| 6312 BHTS ZZ GR CG 350° | 60 | 130 | 31 | 40 | 35,86 | 52,0 |
| 6313 BHTS ZZ GR CG 350° | 65 | 140 | 33 | 40 | 41,38 | 60,0 |
| 6314 BHTS ZZ GR CG 350° | 70 | 150 | 35 | 40 | 46,90 | 68,0 |
| 6315 BHTS ZZ GR CG 350° | 75 | 160 | 37 | 40 | 52,76 | 76,5 |



Technical characteristics:

- Bearing material: steel AISI 52100 (Chrome) stabilized to the application
- Treatment of manganese phosphate coating on all steel parts of the bearing
- Radial Clearance 4xC5
- Shields type ZZ
- In one piece graphite cage(coronet cage)
- Dry lubrication for entire life from the graphite cage

Fields of application:

- Paint Ovens
- Steel industry
- Furnaces for Ceramic Industry
- Trolley Industry, Trolleys for Brick Kilns Industry



12100 Cuneo - Italy

phone: 0039 0171 66883

mail: office@becoitalia.biz

www.becoitalia.biz