

BHTS ZZ 320°

Beco Plus

Extreme Temperature Bearings



6000 SERIE

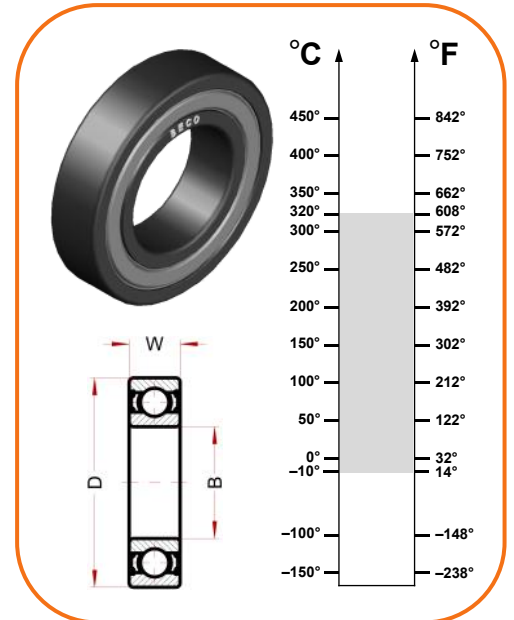
Designation	Bore (B)	Diam (D)	Width (W)	Speed, RPM	Static Load, kN at 320°C	Static Load, kN at 20°C
6000 BHTS ZZ 320° Beco Plus	10	26	8	1100	1,35	1,96
6001 BHTS ZZ 320° Beco Plus	12	28	8	1040	1,63	2,36
6002 BHTS ZZ 320° Beco Plus	15	32	9	960	1,97	2,85
6003 BHTS ZZ 320° Beco Plus	17	35	10	885	2,24	3,25
6004 BHTS ZZ 320° Beco Plus	20	42	12	800	3,45	5,00
6005 BHTS ZZ 320° Beco Plus	25	47	12	680	4,04	5,85
6006 BHTS ZZ 320° Beco Plus	30	55	13	520	5,52	8,00
6007 BHTS ZZ 320° Beco Plus	35	62	14	440	7,17	10,4
6008 BHTS ZZ 320° Beco Plus	40	68	15	400	8,14	11,8

6200 SERIE

Designation	Bore (B)	Diam (D)	Width (W)	Speed, RPM	Static Load, kN at 320°C	Static Load, kN at 20°C
6200 BHTS ZZ 320° Beco Plus	10	30	9	1040	1,79	2,60
6201 BHTS ZZ 320° Beco Plus	12	32	10	960	2,14	3,10
6202 BHTS ZZ 320° Beco Plus	15	35	11	720	2,59	3,75
6203 BHTS ZZ 320° Beco Plus	17	40	12	700	3,28	4,75
6204 BHTS ZZ 320° Beco Plus	20	47	14	620	4,52	6,55
6205 BHTS ZZ 320° Beco Plus	25	52	15	540	5,52	8,00
6206 BHTS ZZ 320° Beco Plus	30	62	16	450	7,72	11,2
6207 BHTS ZZ 320° Beco Plus	35	72	17	420	10,55	15,3
6208 BHTS ZZ 320° Beco Plus	40	80	18	380	12,41	18,0

6300 SERIE

Designation	Bore (B)	Diam (D)	Width (W)	Speed, RPM	Static Load, kN at 320°C	Static Load, kN at 20°C
6300 BHTS ZZ 320° Beco Plus	10	35	11	880	2,38	3,45
6301 BHTS ZZ 320° Beco Plus	12	37	12	800	2,86	4,15
6302 BHTS ZZ 320° Beco Plus	15	42	13	720	3,72	5,40
6303 BHTS ZZ 320° Beco Plus	17	47	14	640	4,52	6,55
6304 BHTS ZZ 320° Beco Plus	20	52	15	560	5,86	8,50
6305 BHTS ZZ 320° Beco Plus	25	62	17	440	7,86	11,4
6306 BHTS ZZ 320° Beco Plus	30	72	19	380	11,24	16,3
6307 BHTS ZZ 320° Beco Plus	35	80	21	340	13,10	19,0
6308 BHTS ZZ 320° Beco Plus	40	90	23	300	17,24	25,0



Technical characteristics:

- Bearing material: steel AISI 52100 (Chrome) stabilized to the application
- Treatment of manganese phosphate coating on all steel parts of the bearing
- Radial Clearance 4xC5
- Shields type ZZ
- Lubricated for entire life with BECO grease for temperatures up to 320°C
- Grease food approved
- Do not need additional lubrication

Fields of application:

- Trolleys for food industry
- Wafer oven
- Breadstick oven

Advantages:

- The Most Performant Bearing on the market of the food industry



12100 Cuneo - Italy

phone: 0039 0171 66883

mail: office@becoitalia.biz

www.becoitalia.biz